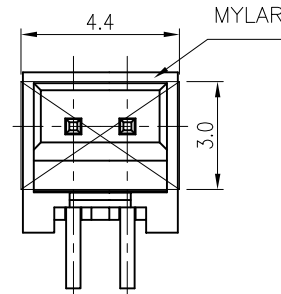
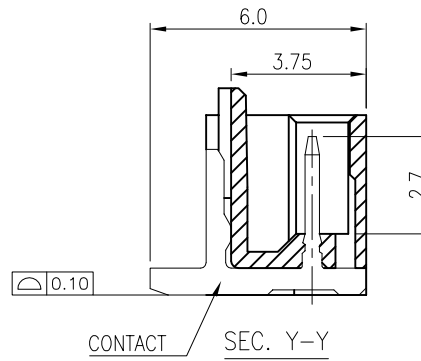


PCB LAYOUT



2pin With Mylar

NOTES:

1. MATERIAL:
 - 1.1 HOUSING: HALOGEN FREE PLASTIC,UL94V-0.
 - 1.2 CONTACT: COPPER ALLOY
- 2.CONTACT:
 - L:50U" NICKEL
 - 120U" MIN. LEAD-FREE(PURE TIN).
 - 1:50U" NICKEL ,
 - GOLD FLASH
 - N:50U" NICKEL ,
 - 120U" MIN. PURE TIN(MATT TIN)
3. REFLOW SOLDER CAPABLE TO 260°C PER ACES SPEC.
4. SPEC. PLS. REFER TO PS-50289-XXXXX-XXX

5.PART NUMBER

P/N LEGEND

50292-XXX X X-XXX

CTKS

PACKING
 0: TAPE & REEL
 1: TUBE
 7:TAPE & REEL WITH COVER
 8:TUBE WITH COVER

XXX	Material&Color	Cover	Packing
001	LCP&Black	With Cover	88738-xxCR-xx
	LCP&Black	Without Cover	50292-xxxCR-xx
002	LCP&Natural	With Cover	88738-xxCR-xx
003	LCP&Natural	With Cover	88738-xxxx-U-TRP
004	LCP&Natural	Without Cover	50292-xxxCR-xx

PLATING
 L:LEAD FREE (PURE TIN)
 N:MATT TIN
 1:GOLD FLASH

CKT	Dim A	Dim B
2	1.5	4.3
3	3.0	5.8
4	4.5	7.3
5	6.0	8.8
6	7.5	10.3
7	9.0	11.8
8	10.5	13.3
9	12.0	14.8

一般公差
TOLERANCES
 X ±0.5 XX ±0.15
 X ±0.25 .XXX ±0.1
 ANGLES ±2°

檢驗尺寸標示
SYMBOLS Ⓞ Ⓢ INDICATE CLASSIFICATION DIMENSION
 Ⓢ MARK IS CRITICAL DIM.
 Ⓞ MARK IS MAJOR DIM.

表面處理 (FINISH)

宏致電子股份有限公司
 Aces Electronic Co.,Ltd.

品名 (TITLE)
 1.5mm WTB Header
 SMT Vertical Type
 圖號 (DWG.NO)
 50292-XXXXX-XXX

比例 (SCALE) 單位 (UNITS)
 5:1 mm

製圖 (DR) 17/08/05 LLJ
 審核 (CHKD) ANDREW
 核准 (APPD) DAVID

張數 (SHEET) 1 OF 1
 圖號 (SIZE) A4
 版本 (REV) F